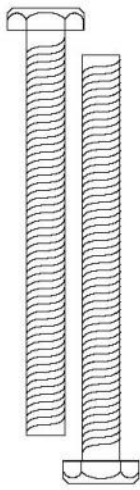
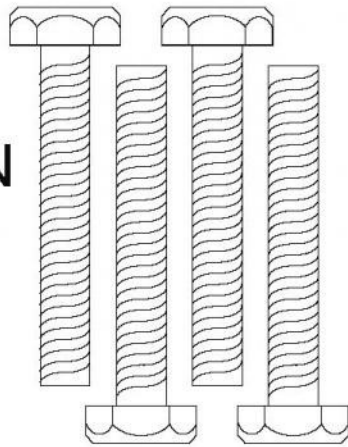


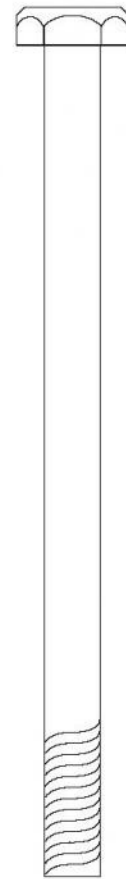
IR



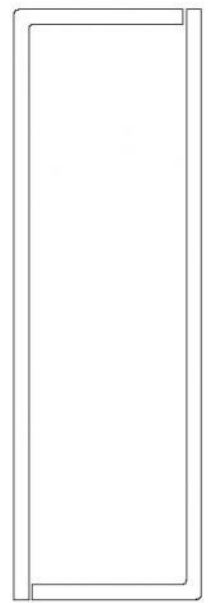
6N



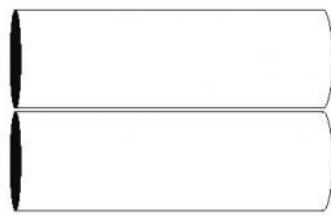
6M



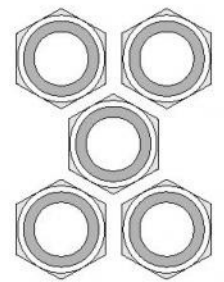
6M-2



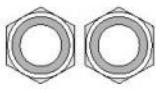
SB



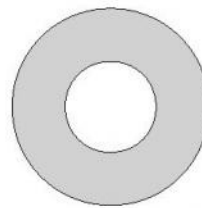
SU



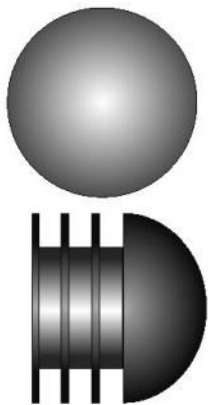
NR



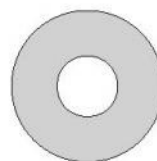
RN-1



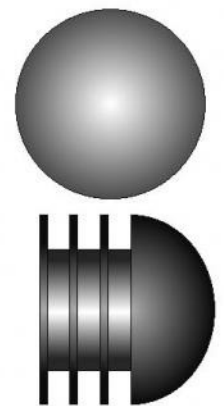
FZ



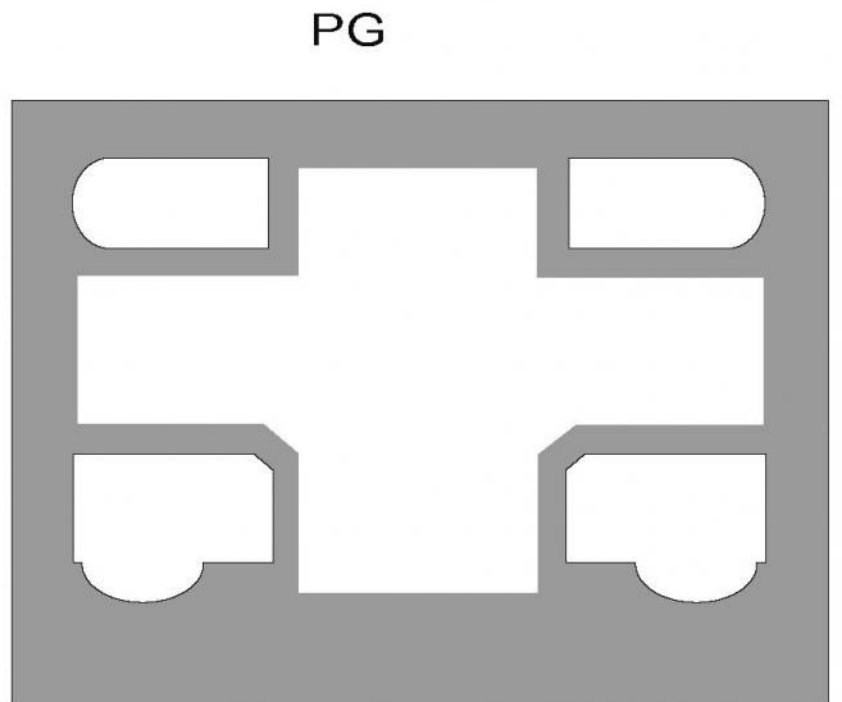
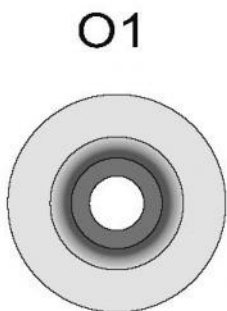
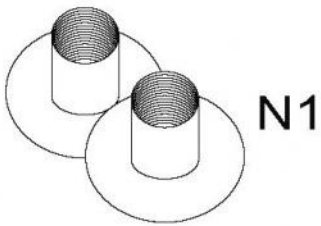
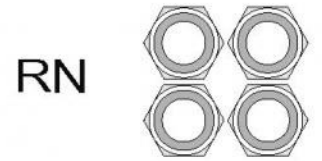
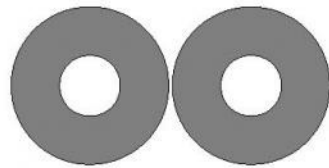
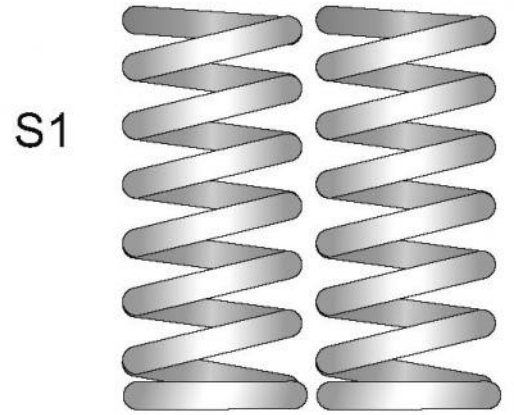
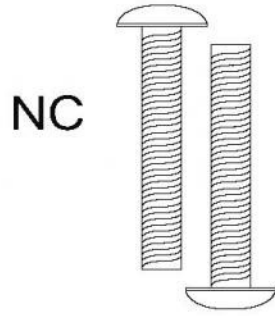
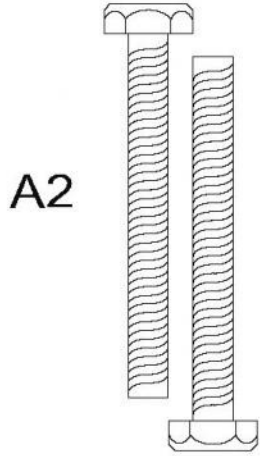
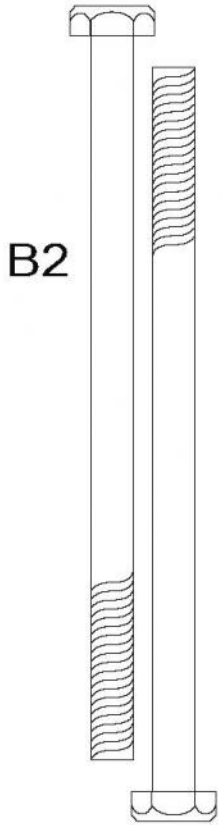
SC



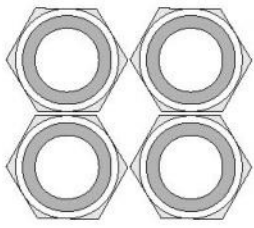
FZ-3



68602/68608



68602/68608



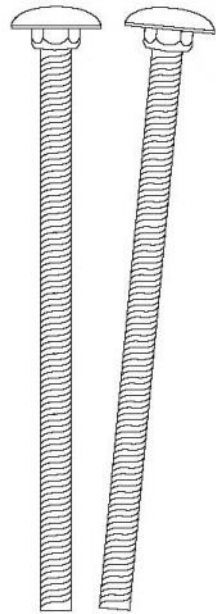
R



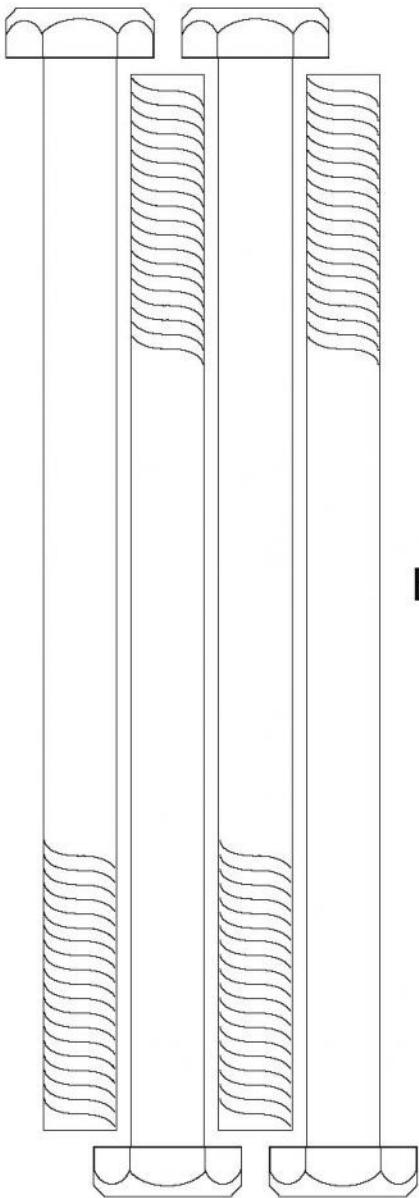
K



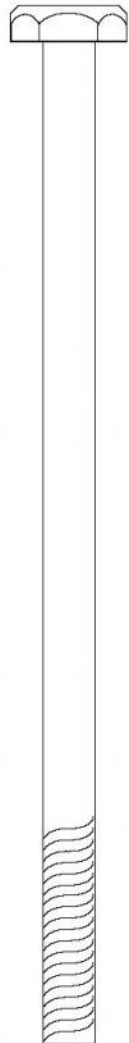
NR



E



B



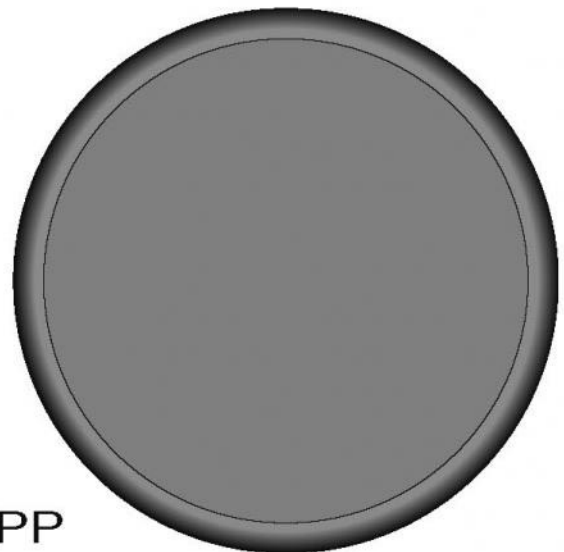
L



P1



S



PP

FIGURE 1

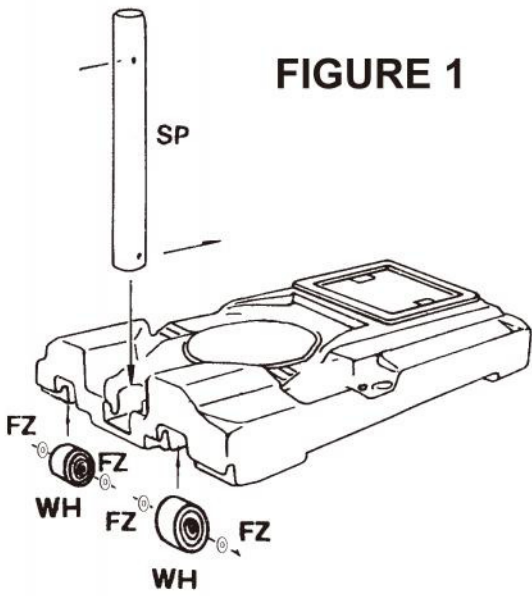


FIGURE 2

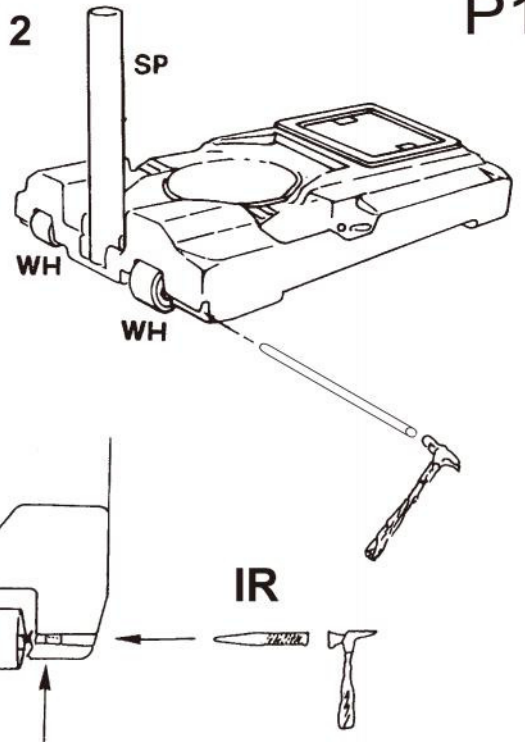


FIGURE 3

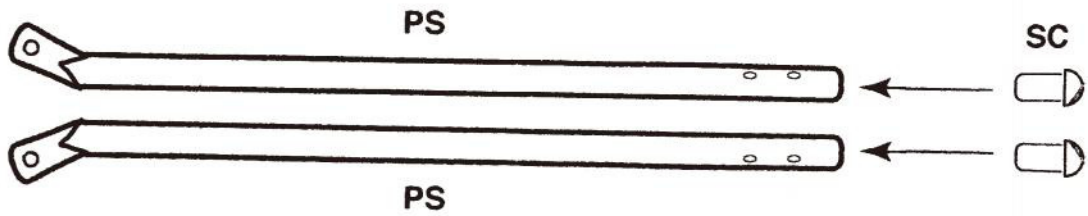


FIGURE 4

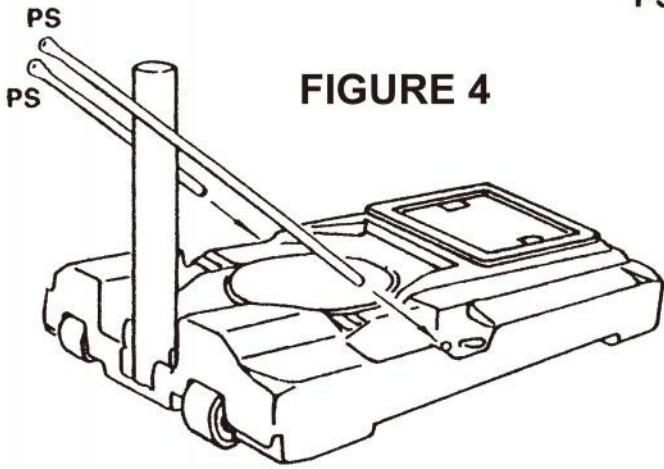


FIGURE 5

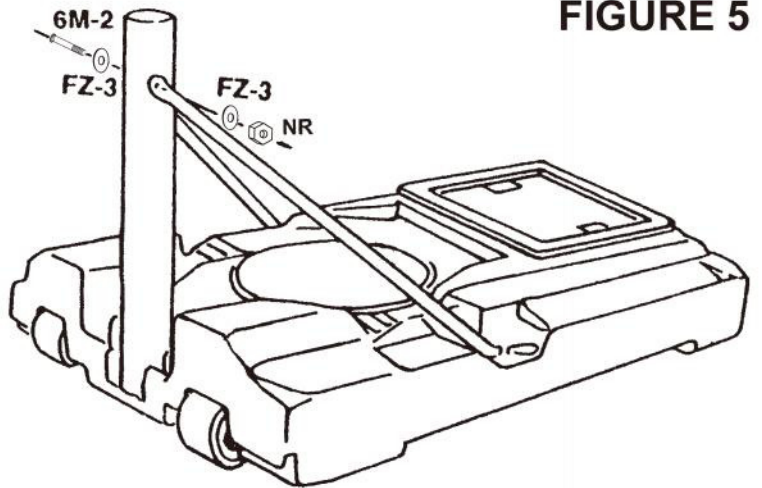


FIGURE 6

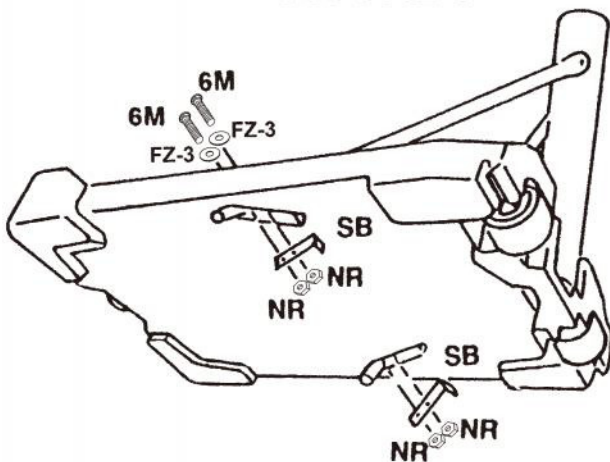
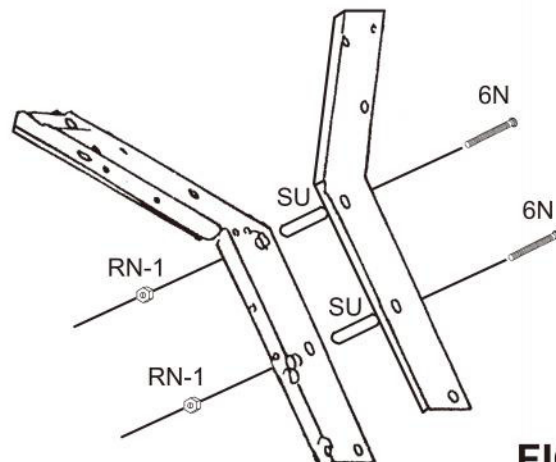


FIGURE 7



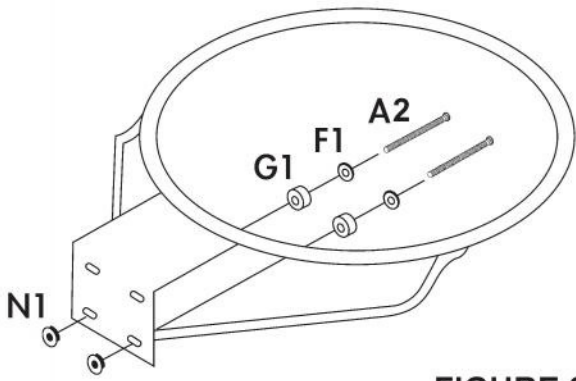


FIGURE 8

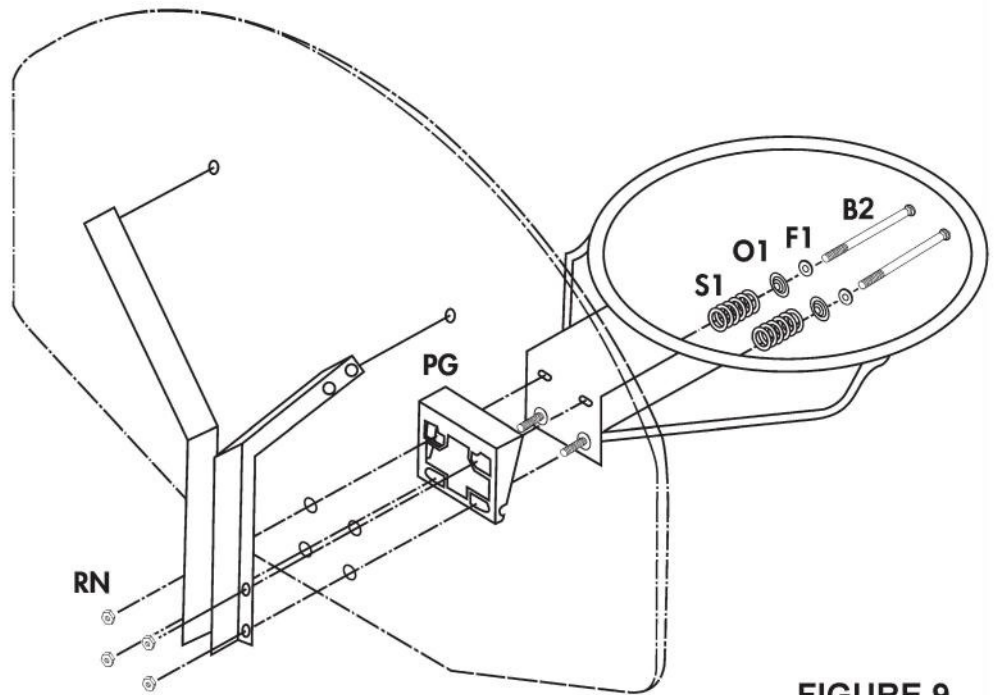


FIGURE 9

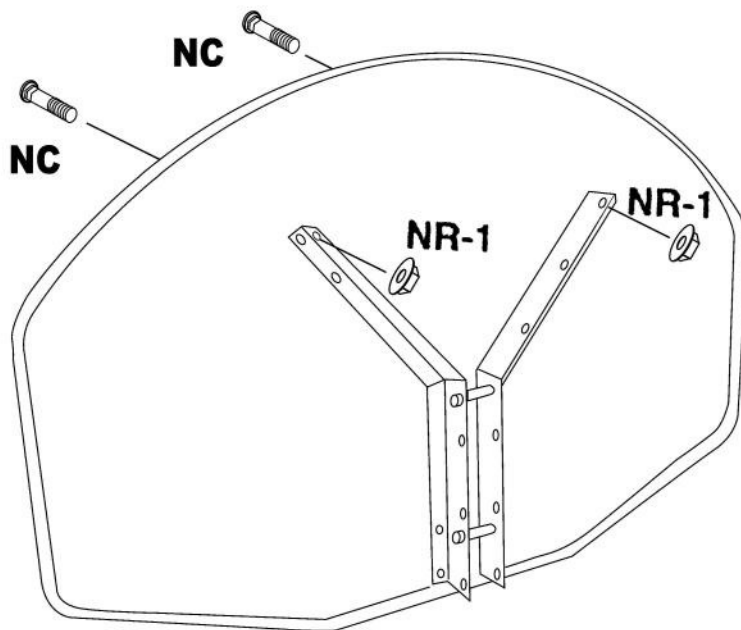


FIGURE 10

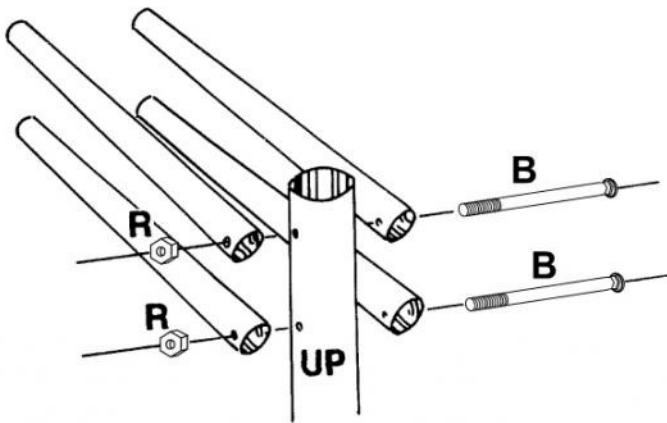


FIGURE 11

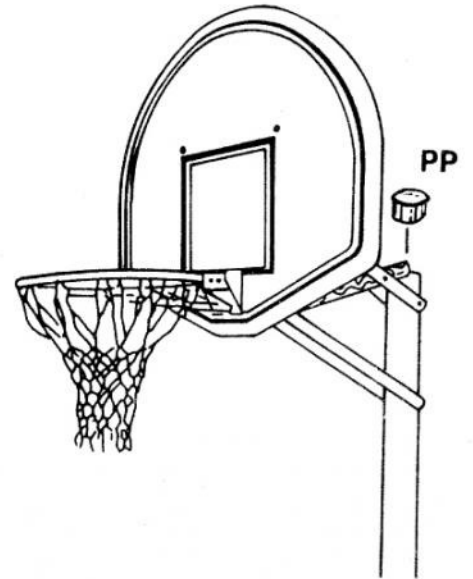


FIGURE 13

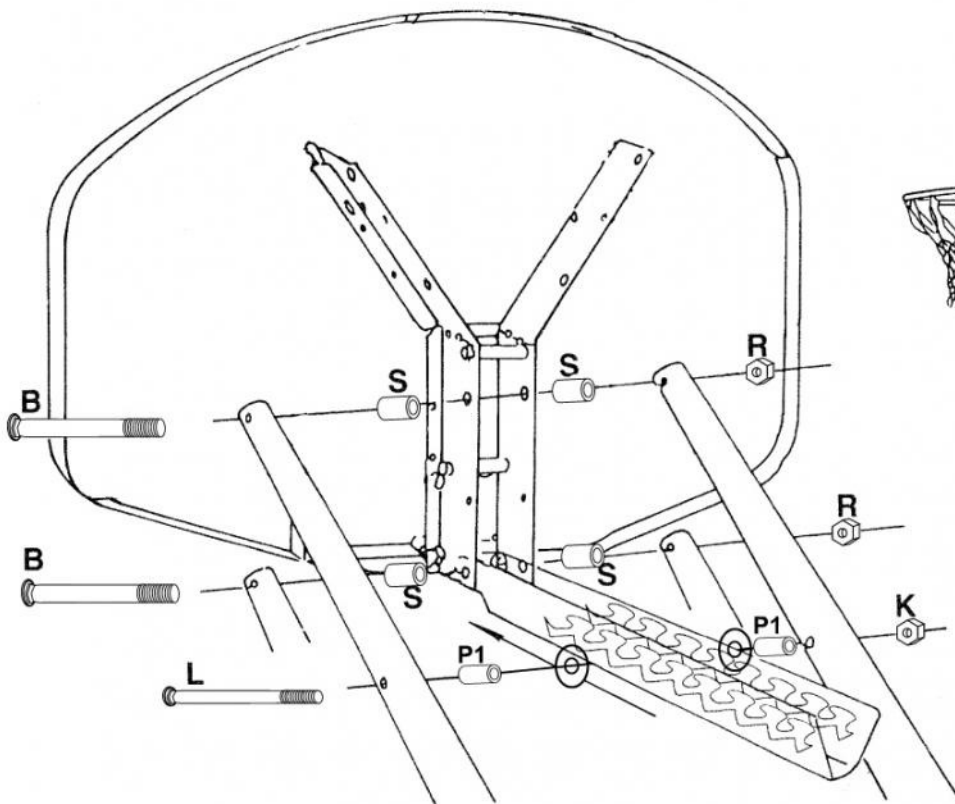


FIGURE 12

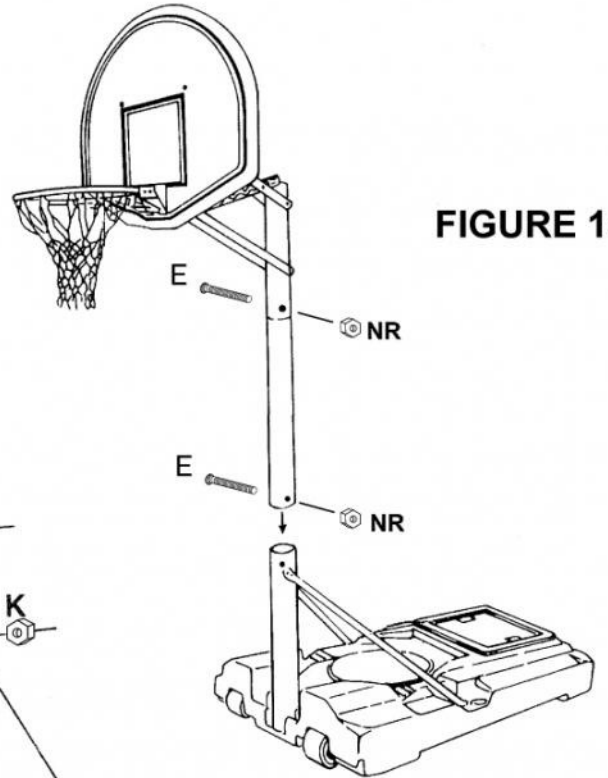


FIGURE 14