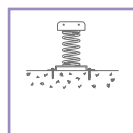
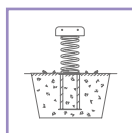


SPRING TOYS IN HDPE WITH SPRING TYPE 'SMALL' 'ESSENCIALS'



A concrete anchor B flat anchor



MANUAL : M172
SALESSTATUS : STD
PRODUCT DIMENSIONS : 770 x 950 x 220 mm

MATERIAL :



EN KBT spring toys

- unique KBT design
- solid HDPE material (thickness 19 mm)
- vandalism resistant
- panels and spring supplied unassembled
- fortified plastic handgrips and foot supports with anti-slip profile

NL KBT veerspeeltoigen

- uniek KBT ontwerp
- massieve HDPE kunststof (materiaaldikte 19 mm)
- vandalismebestendig
- platen en veer niet geassembleerd geleverd
- versterkte kunststof handgrepen en voetsteunen met anti-slip profiel

FR jeux à ressort de KBT

- dessin unique de KBT
- plastique massif PEHD (épaisseur 19 mm)
- anti-vandalisme
- panneaux et ressort fourni non monté
- poignées et supports pour les pieds en plastique avec profil antidérapant

DE KBT Spiele auf Feder

- einzigartiges KBT Design
- massiven HDPE Kunststoff (Materialdicke 19 mm)
- vandalismussicher
- Platten und Feder nicht montiert geliefert
- verstärkte Kunststoffhandgriffe und Fußstützen mit antirutsch Profil

ES KBT figuras a resorte muelle

- diseño KBT exclusivo
- plástico PEAD mazizo (espesor 19 mm)
- antivandálico
- paneles y resorte suministrado no montado
- manijas y apoyos para los pies en plástico reforzado con perfil antideslizante

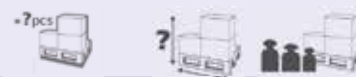
PL KBT bujaki sprężynowe

- unikatowy wzór KBT
- płyta HDPE (grubość 19 mm)
- odporne na zniszczenia
- zestaw do samodzielnego montażu
- zbrojone uchwyty i podnóżki z HDPE z profilem antypoślizgowym

PACKAGING



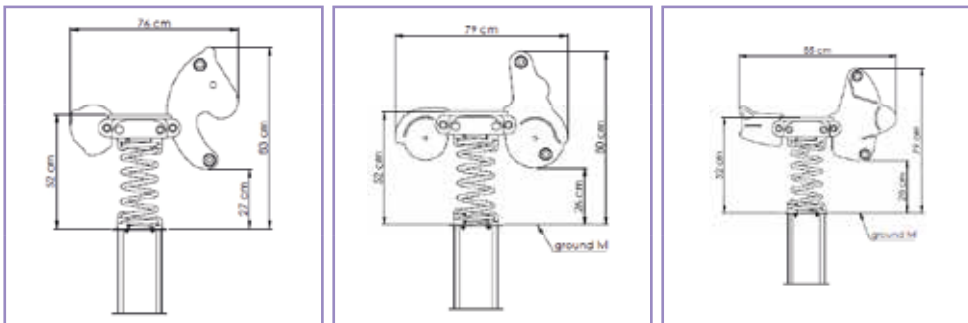
A 172.00x.	± 26 kg	1	± 56 x 45 x 33 cm	± 26 kg
B 172.00x.	± 22 kg	1	± 56 x 45 x 33 cm	± 22 kg



A 172.00x.	1 x 21 = 21	120 x 80 x 185 cm	± 536 kg
B 172.00x.	1 x 36 = 36	120 x 80 x 187 cm	± 774 kg

SPRING TOYS IN HDPE WITH SPRING TYPE 'SMALL' 'ESSENCIALS'

DRAWINGS:



VARIATIONS :

- | | | |
|--|-----------------|---|
| | 172.001.001.001 | spring toy in HDPE 'essentials' (toy, spring & concrete anchor) - pony |
| | 172.001.004.001 | spring toy in HDPE 'essentials' (toy, spring & flat anchor) - pony |
| | 172.002.001.001 | spring toy in HDPE 'essentials' (toy, spring & concrete anchor) - scooter |
| | 172.002.004.001 | spring toy in HDPE 'essentials' (toy, spring & flat anchor) - scooter |
| | 172.003.001.001 | spring toy in HDPE 'essentials' (toy, spring & concrete anchor) - plane |
| | 172.003.004.001 | spring toy in HDPE 'essentials' (toy, spring & flat anchor) - plane |