



GB

Please read the operating instructions carefully before use and keep.













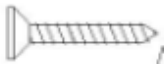






# ***Soccer table***

## ***PROFI SOCCER DELUXE ST***



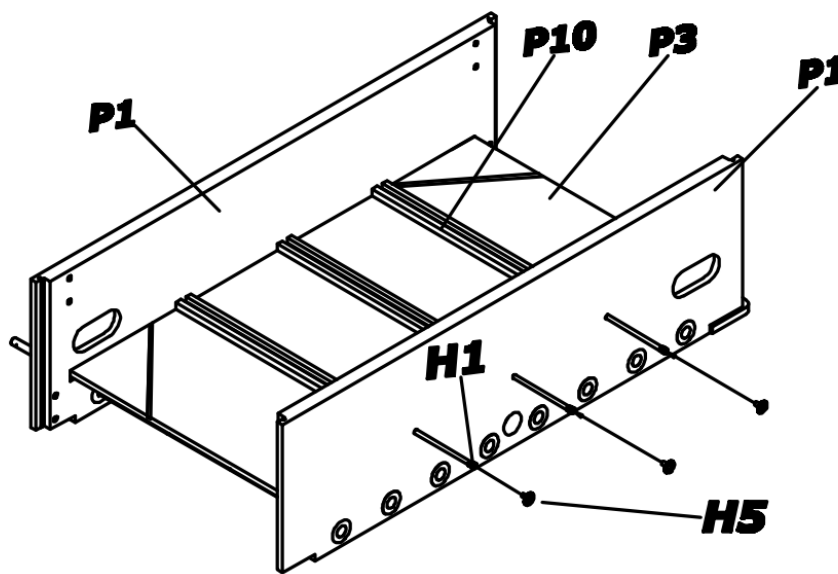
Spare Part List

<p><b>P1 = 2x</b></p>  <p><b>Side Panel LONG</b></p>	<p><b>P2a = 2 x</b></p>  <p><b>Side Panel SHORT</b></p>	<p><b>P3 = 1 x</b></p>  <p><b>Playfield</b></p>	<p><b>P4 = 4 x</b></p>  <p><b>Legs</b></p>
<p><b>P5 = 8 x</b></p>  <p><b>ERGO Handles</b></p>	<p><b>P6 = 8x</b></p>  <p><b>Rod End Caps</b></p>	<p><b>P7 = 2x</b></p>  <p><b>Scorer</b></p>	<p><b>P8 = 4x</b></p>  <p><b>Apron Corners, chrom</b></p>
<p><b>P9 = 2 x</b></p>  <p><b>Wooden Ball Collector</b></p>	<p><b>P10 = 3 x</b></p>  <p><b>Playfield Support brace</b></p>	<p><b>H1 = 3x</b></p>  <p><b>Supprt brace, Rods</b></p>	<p><b>H5= 6 +4 x</b></p>  <p><b>Head Nuts</b></p>
<p><b>P16 = 2x</b></p>  <p><b>Wooden Block, Ball Coll.</b></p>	<p><b>P12 = 2 x</b></p>  <p><b>Chromed Leg Bar</b></p>	<p><b>P11= 2 x</b></p>  <p><b>Leg Bar Rods 716mm</b></p>	<p><b>P13= 2 x</b></p>  <p><b>Bottle Holder</b></p>
<p><b>P14 = 2x</b></p>  <p><b>Ball entry cup</b></p>	<p><b>P15 = 8x</b></p>  <p><b>Safety End Cap</b></p>	<p><b>A 1 = 2 x</b></p>  <p><b>Soccer Ball, standard</b></p>	<p><b>A2 = 2x</b></p>  <p><b>Tournament Ball</b></p>

<p><b>C1 = 2 x</b></p>  <p><b>5er Solid Rod</b></p>	<p><b>C2 = 4 x</b></p>  <p><b>3er Solid Rod</b></p>	<p><b>C3 = 2 x</b></p>  <p><b>2er Solid Rod</b></p>	<p><b>C4 = 16 x</b></p>  <p><b>Rubber Buffer</b></p>
<p><b>C5 = 32 x</b></p>  <p><b>Plastic Washer</b></p>	<p><b>C6 + C7 = 26 x</b></p>  <p><b>Screws + Nut, Players</b></p>	<p><b>C11 = 4 x</b></p>  <p><b>Goalie Stop ring</b></p>	<p><b>C8 = 11 + 1 x</b></p>  <p><b>Player Away - white</b></p>
<p><b>C9 = 11 + 1 x</b></p>  <p><b>Player Home - yellow</b></p>	<p><b>H2 = 32 x</b></p>  <p><b>3/8 Flat washer</b></p>	<p><b>H13 = 8 x</b></p>  <p><b>5/16 Flat washer</b></p>	<p><b>H3 = 4 x</b></p>  <p><b>Leg Leveler Set</b></p>
<p><b>H6 = 28 x</b></p>  <p><b>Wooden Screw 25 mm</b></p>	<p><b>H8 = 16 x</b></p>  <p><b>Leg Screw 155 mm</b></p>	<p><b>H10 = 4 x</b></p>  <p><b>Wooden Screw 25 mm</b></p>	<p><b>H11 = 8 x</b></p>  <p><b>Cabinet Screw 80mm</b></p>
<p><b>H12 = 16 x</b></p>  <p><b>Leg Nut</b></p>	<p><b>H14 = 4 x</b></p>  <p><b>Wooden Screw 25 mm Woodenblock</b></p>	<p><b>H15 = 42 x</b></p>  <p><b>Wooden Screw 12 mm</b></p>	<p><b>H16 = 6 x</b></p>  <p><b>Iron Angle - Ball Collector</b></p>
<p><b>A2 = 1 x</b></p>  <p><b>Tool</b></p>			

1) Set the Playfield P3 into the groove of Side panel P1 as FIGURE 1. Once you have the playfield set, place the Wood support brace P10 on the back of playfield and secure by Cabinet rods H1 locked at side panel by Nut H5.

## Cabinet – Part 1

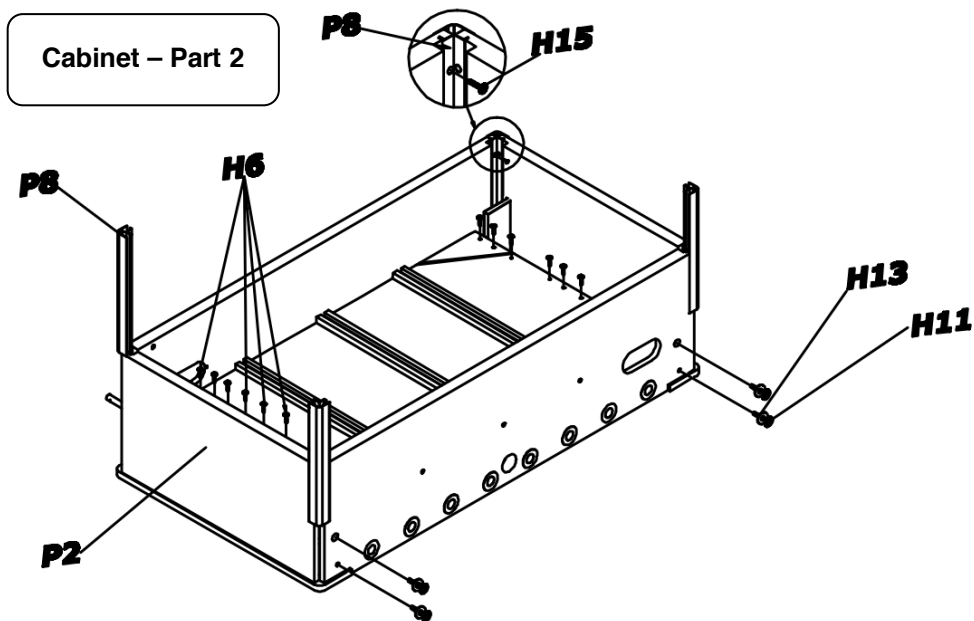


**Attention –**  
please make  
sure that in  
this step not  
all screws final  
fixed – only  
hold the parts



2) Attached the End panel P2 as show in FIGURE 2, use bolt H11 acrossing H13 to lock the side panel and the end panel, and fix playfield by screw H6. Then attach Apron miter P8 between the side panel and the end panel, locked by screw H15.

Note: Be sure that the Side panel and the End panel are square during this step.

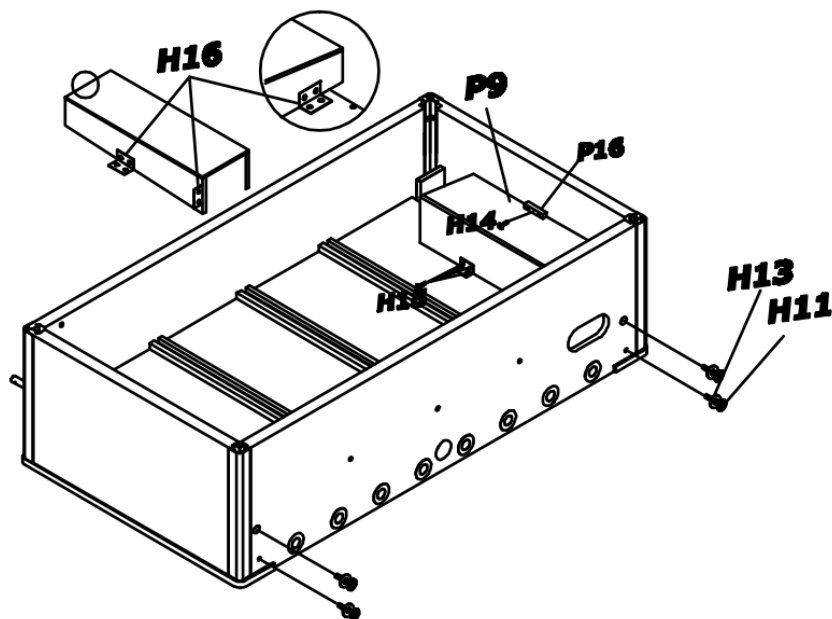


**Attention** – please make sure that in this step now all screws final fixed by hand or within a screw driver or automatically screw driver with the lowest setting.



3) Put Wood ball collection P9 between the side panel and the end panel as FIGURE 3, using wooden blocks P16 and screw H14 to lock P9 on side panel, using Angle iron H16 and screw H15 to lock P9 on end panel and playfield.

## Ball Return

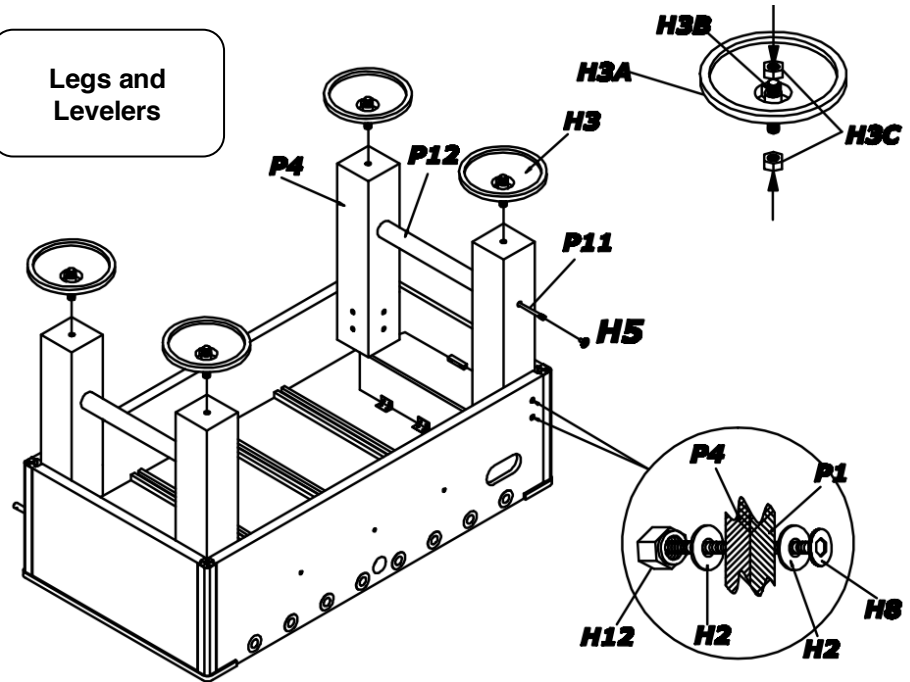


**Attention** – now please control that all screws are fixed.



4) Attach each Leg P4 into the table corner fixed by Bolt H8 acrossing washer H2 with Nut H12. Attach the Bars P12 between the Legs, using Rods P11 inserting bars and locked by Nut H5 outside legs. Locate Leg leveler H3 on the bottom of leg.

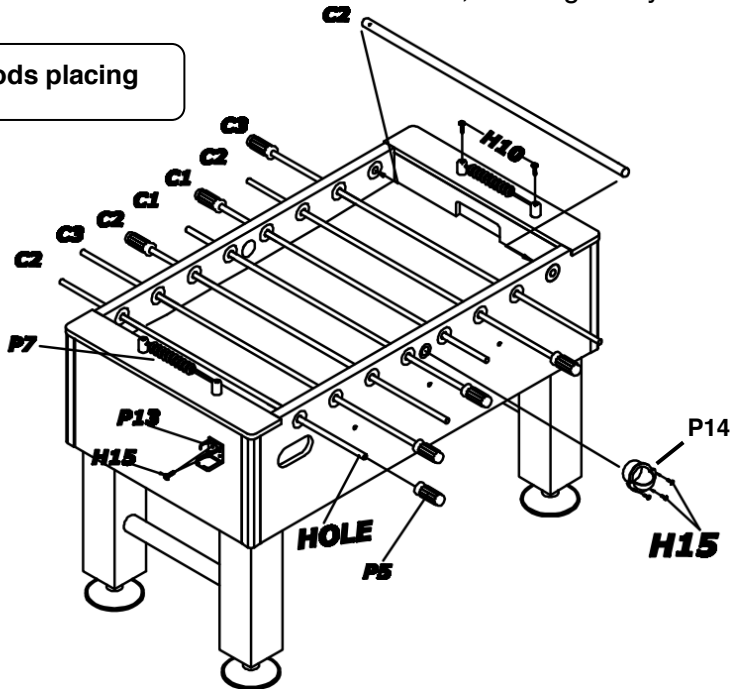
Legs and Levelers



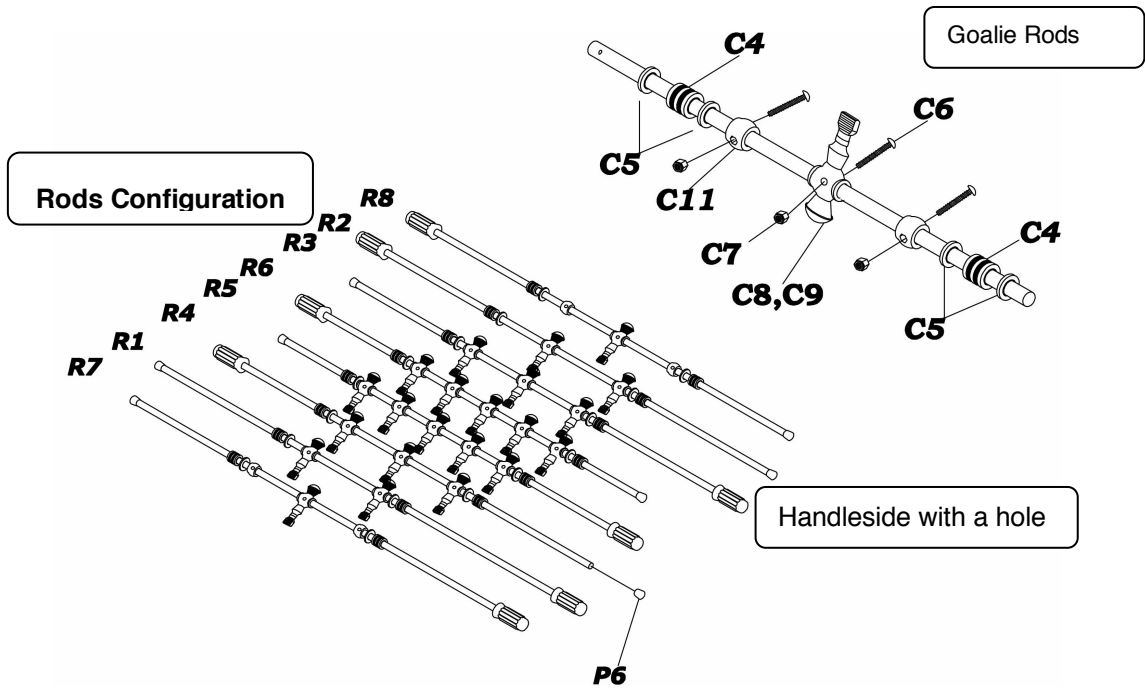
5) This step requires more than two adults to turn over the table carefully, not over the legs!!!!

Then lock the scorer P7 on mid of end panel by screw H10. Use screw H15 to lock Ball entry cup on the top center of side panel. Fix Coffee back P13 on the end panel by screw H15. Put eight Handles P5 on the labeled side of rods, and align Player rods C2-C4 as FIGURE 5.

Rods placing



6) Lock Player C8, C9, Goalie rod stop ring C11 on player rods by screw C6 & Nut C7, then inserting two washer C5 on both sides of Rubber bushing C4 as FIGURE 6. Finally, put rod end caps P6 on another side of player rod.



**Attention** – again please final control that all screws are fixed with a hand screw drive or automatically screw driver with the lowest setting. To place the handles on the rods, please use a simple rubber hammer.

