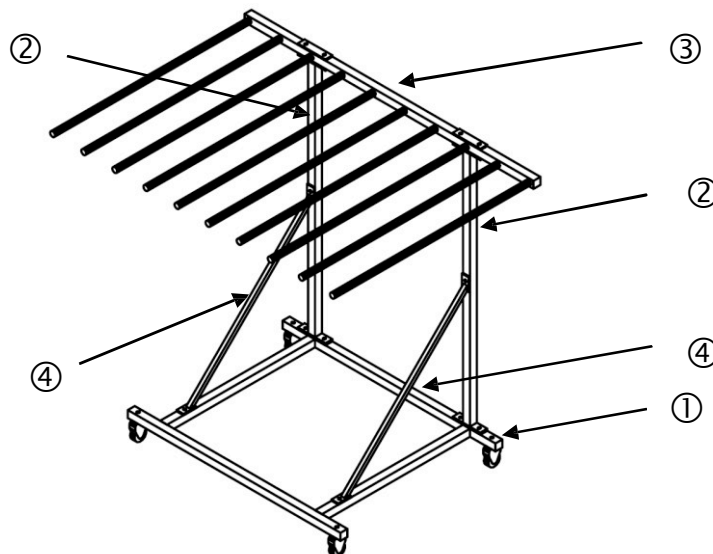


## **Operating/assembly instructions for mat transport trolley**

Thank you very much for choosing a **Sport-Thieme** product. We want to make sure that you can enjoy this product, so here is some important advice for your safety as well as for the use and maintenance of the equipment.

Please read these instructions fully before you assemble and use the equipment:



III. 1: Mat transport trolley

When you open the package, please ensure all the necessary parts are included:

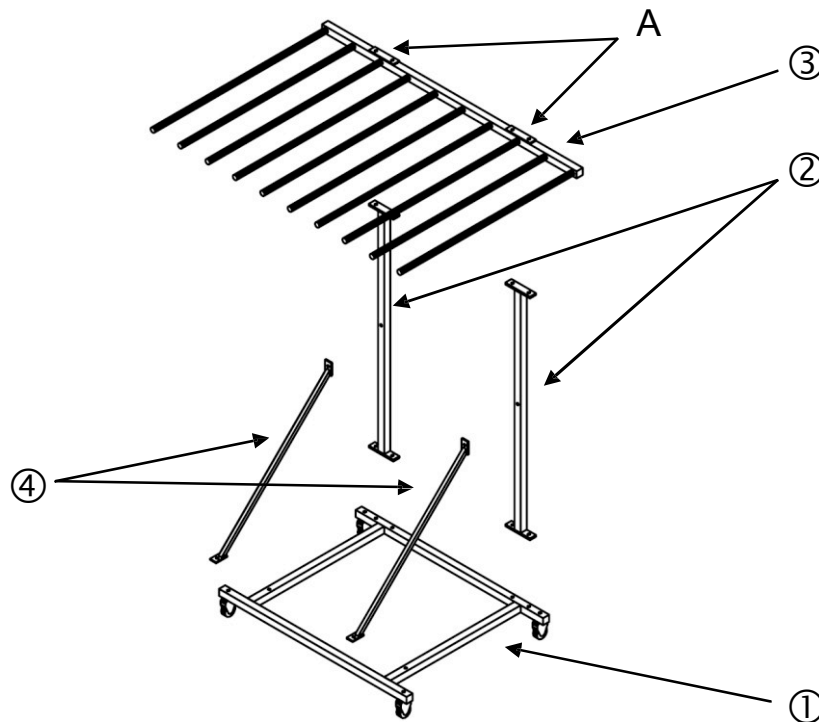
- ① 1 x bar with swivel castors
- ② 2 x post
- ③ 1 x top with mat hanging bars
- ④ 2 x strut
- ⑤ 4 x countersunk bolt M8 x 55 with cap nut
- ⑥ 4 x hex bolt M8 x 50 with locking nut
- ⑦ 4 x hex bolt M8 x 45 with locking nut
- ⑧ 20 x washer

### **1. General**

The mat transport trolley is designed for the tidy storage of rollable exercise mats. The practical transport aid provides space for up to 20 mats and helps to keep the equipment room tidy.

## 2. Assembly instructions

Place the base ① with the swivel castors facing down onto the floor. Connect the posts ② using the hex bolts M8 x 50, washers and locking nuts ⑥ ⑧ to the base ① in such way that the bigger distance between the holes on the post is at the bottom ②. Now, connect the struts ④ using the hex bolts M8 x 45, washers and cap nuts ⑦ ⑧ to the base ① and the posts ②. Finally, mount the top ③ onto the posts ②. Mount the top ③ in such way that the welded-on sheets (A) are visible at the top. Please use the countersunk bolts, locking nuts and washers ⑤ ⑧ to fix the top. The countersunk bolts ⑤ are inserted from above into the top ③.



III. 2: Exploded-view drawing

**Caution: Do not overload or climb the equipment!**



**Maintenance and care instructions**

**Instructions:**

Carry out a visual check at regular intervals. Due to our continuous quality control of the products, technical changes may occur which may lead to slight deviations in the instructions. Check at regular intervals that the screw connections are tight. Check the equipment for possible damage and replace worn-out parts. Ensure that moveable parts are free-moving.

We are happy to answer any questions you may have.

Your **Sport-Thieme** Team